

Job Name:	
Tag#	



Submittal Data Sheet	FTXB12AXVJU / RXB12AXVJU
1.0-Ton Wall Mounted Heat Pump System	



Complete warranty details available from your local dealer or at www.daikincomfort.com. To receive the 10-Year Parts Limited Warranty, online registration must be completed within 60 days of installation. Online registration is not required in California or Quebec. *If product is installed in a commercial application, limited warranty period is 5 years.*

Indoor Specifications				
Airflow Rate (cfm)	Cooling		Heating	
	H	M	H	M
	360	282	360	282
Sound (dBA) H / M / L	L		L	
	232		232	
Dimensions (H x W x D) (in)	11-11/16 x 35-1/16 x 8-1/4			
Weight (Lbs)	20			

Outdoor Specifications				
Compressor	Hermetically Sealed Swing Type			
Refrigerant	R-410A			
Factory Charge (Lbs)	2.20			
Refrigerant Oil	PVE (FVC50K)			
Airflow Rate (cfm)	Cooling		Heating	
	H	730	H	730
Sound Pressure Level (dBA)	48			
Dimensions (H x W x D) (in)	21-5/8 x 25-15/16 x 10-3/4			
Weight (Lbs)	57			

Efficiency			
Cooling		Heating	
SEER	17	HSPF	9
EER	8.5	COP	3.3

Performance	
Cooling (Btu/hr)	
Rated (Min/Max)	11,000 (4,400 – 16,200)
Sensible @ AHRI	8,394
Operating Range	50°F – 115°F
Rated Cooling Conditions: Indoor: 80°F DB/67°F WB Outdoor: 95°F DB/75°F WB	
Heating (Btu/hr)	
1: @ 47° Rated (Min/Max)	11,300 (4,400 – 16,200)
2: @ 17° Rated	7,200
3: @ 5°	5,533
Operating Range	5°F – 65°F
1: Rated Heating Conditions: Indoor: 70°F DB/60°F WB Outdoor: 47°F DB/43°F WB	
2: Rated Heating Conditions: Indoor: 70°F DB/60°F WB Outdoor: 17°F DB/15°F WB	
3: Heating Conditions: Indoor: 69.8°F DB Outdoor: 5°F WB	

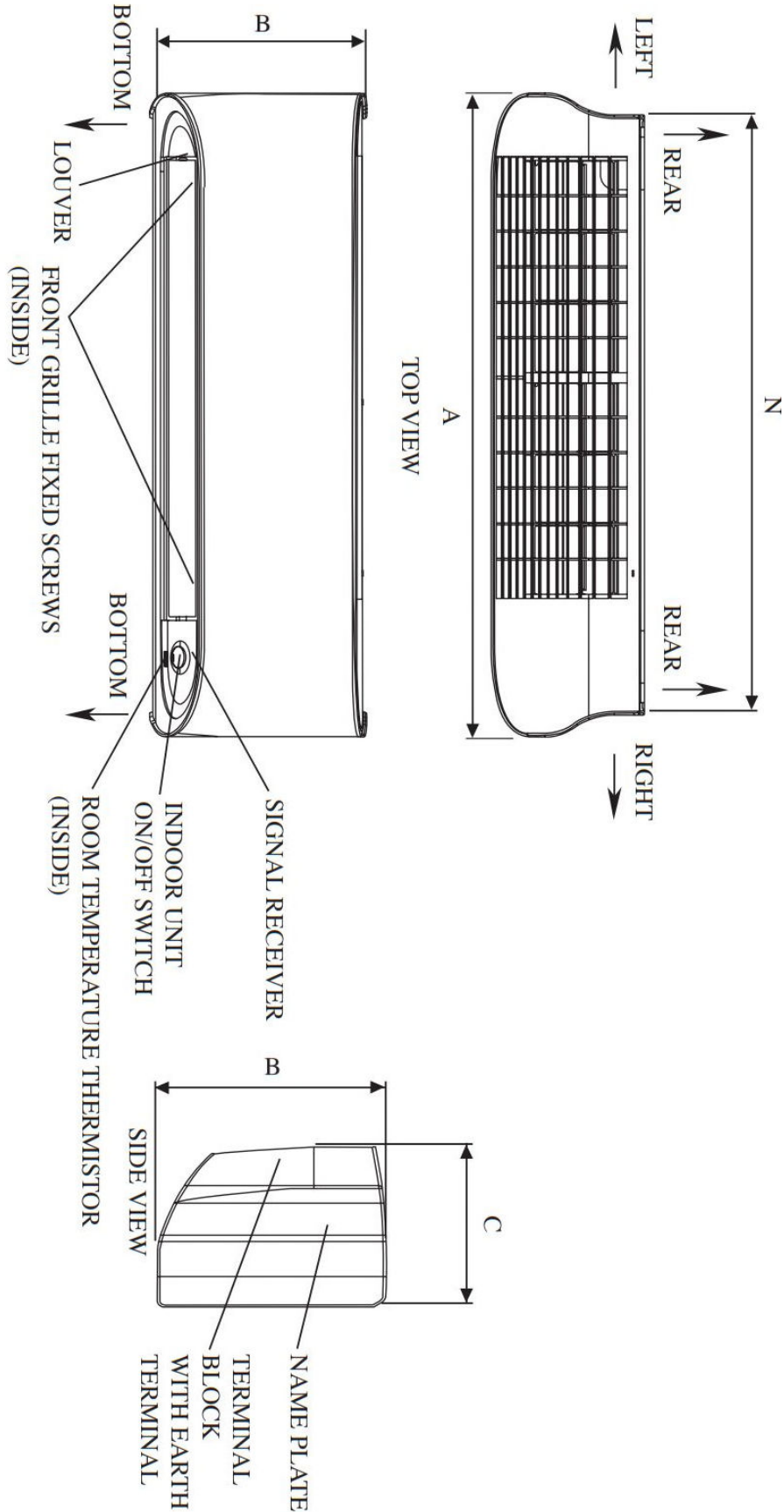
Electrical		
	208/60/1	230/60/1
System MCA	7.95	7.95
System MFA	15	15
Compressor RLA	7.75	7.75
Outdoor fan motor FLA	.19	.19
Outdoor fan motor W	41	41
Indoor fan motor FLA	.20	.20
Indoor fan motor W	18	18
MFA: Max. fuse amps MCA: Min. circuit amps (A) FLA: Full load amps (A) RLA: Rated load amps (A) W: Fan motor rated output (W)		

Piping	
Liquid (in)	1/4
Gas (in)	3/8
Drain (in)	3/4
Max. Interunit Piping Length (ft)	65.625
Max. Interunit Height Difference (ft)	32.8
Chargeless (ft)	24.6
Additional Charge of Refrigerant (oz/ft)	.21

Daikin North America LLC San Felipe, Suite 500 Houston, TX 77056

(Daikin's products are subject to continuous improvements. Daikin reserves the right to modify product design, specifications and information in this data sheet without notice and without incurring any obligations)

FTXB12AXVJU Dimensional Data

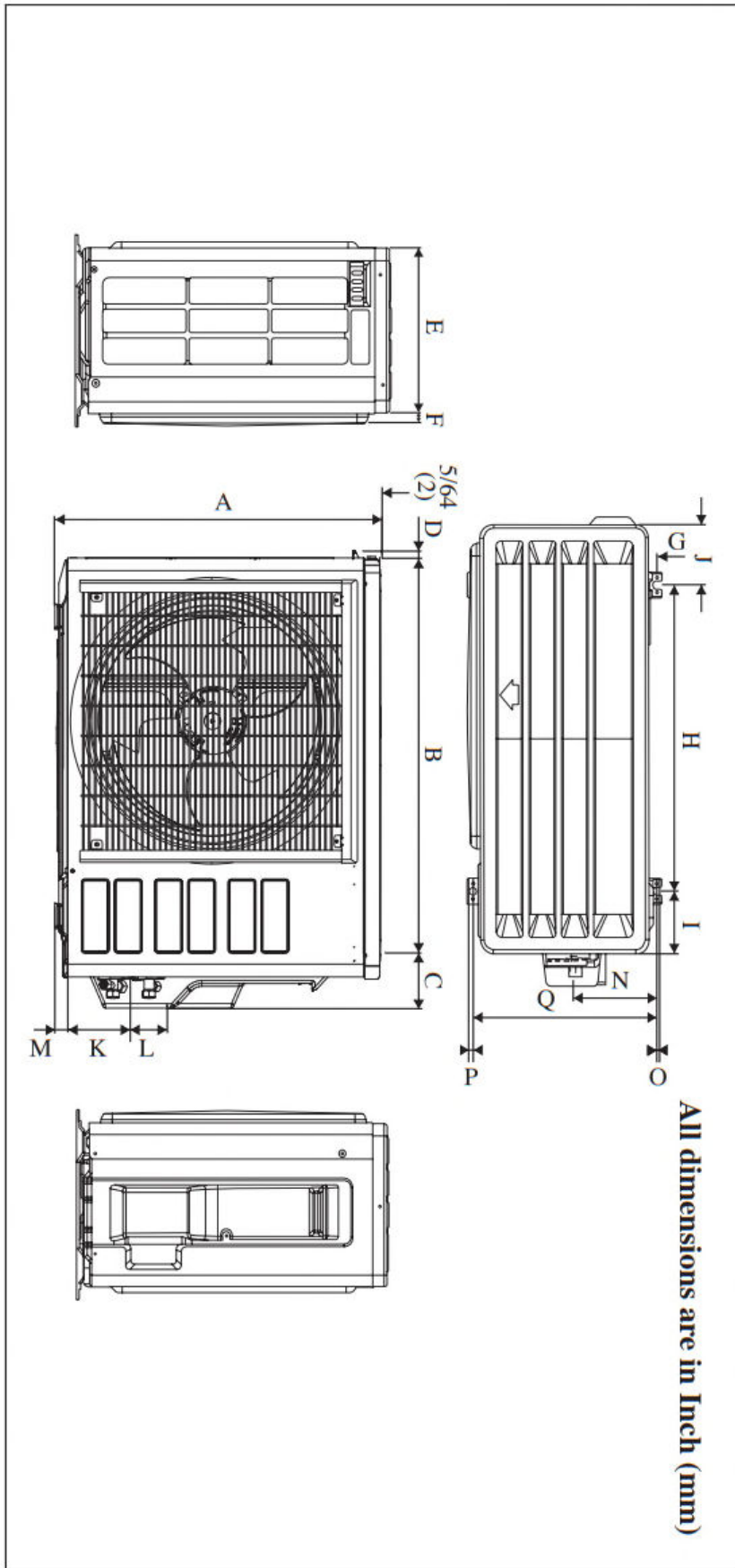


Model	Dimension			
09/12	A 35-1/16 (890)	B 11-11/16 (297)	C 8-1/4 (210)	N 32-2/3 (830)

Daikin North America LLC San Felipe, Suite 500 Houston, TX 77056

(Daikin's products are subject to continuous improvements. Daikin reserves the right to modify product design, specifications and information in this data sheet without notice and without incurring any obligations)

Model	Dimension	
09/12	A	21-5/8 (550)
	B	25-15/16 (658)
	C	2 (51)
	D	7/16 (11)
	E	10-3/4 (273)
	F	5/8 (16)
	G	9/16 (14)
	H	18-1/2 (470)
	I	3-3/4 (96)
	J	3-11/16 (93)
	K	3-11/16 (94)
	L	2-3/8 (60)
	M	9/16 (14)
	N	5-1/4 (133)
	O	5/16 (8)
	P	3/8 (10)
	Q	11-3/4 (299)



Daikin North America LLC San Felipe, Suite 500 Houston, TX 77056

(Daikin's products are subject to continuous improvements. Daikin reserves the right to modify product design, specifications and information in this data sheet without notice and without incurring any obligations)



Cooling Mode

AFR (CFM)	EWB	EDB	Outdoor temperature																	
			66.2°F			77.0°F			86.0°F			95.0°F			104.0°F			114.8°F		
			TC	SC	PI	TC	SC	PI	TC	SC	PI	TC	SC	PI	TC	SC	PI	TC	SC	PI
232	61.6°F	69.2°F	10368	7040	0.98	10002	6856	1.06	9630	6672	1.15	9243	6480	1.25	8488	6031	1.35	7836	5673	1.49
		74.6°F	10382	8430	0.98	10014	8237	1.06	9643	8046	1.15	9257	7846	1.25	8505	7327	1.36	7867	6914	1.49
		80.0°F	10464	9558	0.98	10116	9341	1.07	9760	9121	1.15	9393	8888	1.25	8667	8271	1.36	8064	7767	1.50
		85.4°F	10786	10786	0.99	10476	10476	1.07	10159	10159	1.16	9832	9832	1.26	9114	9114	1.37	8526	8526	1.51
	67.0°F	74.6°F	11437	6573	1.00	11035	6406	1.08	10630	6236	1.17	10210	6060	1.27	9383	5644	1.38	8674	5315	1.52
		80.0°F	11444	7520	1.00	11041	7351	1.08	10637	7183	1.17	10218	7009	1.27	9392	6556	1.38	8685	6211	1.52
		85.4°F	11462	9280	1.00	11066	9082	1.08	10675	8881	1.17	10270	8667	1.27	9456	8106	1.38	8773	7670	1.52
		90.8°F	11598	11598	1.00	11220	11220	1.08	10856	10856	1.18	10486	10486	1.28	9702	9702	1.39	9070	9070	1.53
	72.4°F	80.0°F	12582	6433	1.02	12146	6278	1.10	11704	6120	1.19	11246	5952	1.30	10342	5547	1.40	9573	5229	1.55
		85.4°F	12586	7840	1.02	12151	7673	1.10	11706	7499	1.19	11249	7321	1.30	10345	6853	1.41	9577	6499	1.55
		90.8°F	12593	9156	1.02	12157	8982	1.10	11714	8804	1.19	11257	8622	1.30	10358	8094	1.41	9601	7689	1.55
		96.2°F	12634	10383	1.02	12216	10175	1.10	11792	9964	1.20	11363	9743	1.30	10479	9135	1.41	9743	8667	1.55
282	61.6°F	69.2°F	10790	7345	0.99	10401	7156	1.07	10006	6966	1.16	9598	6769	1.26	8807	6303	1.37	8124	5932	1.51
		74.6°F	10823	8916	0.99	10433	8707	1.07	10043	8499	1.16	9638	8285	1.26	8854	7729	1.37	8184	7295	1.51
		80.0°F	10953	10126	0.99	10585	9890	1.08	10220	9636	1.17	9853	9349	1.27	9096	8684	1.37	8474	8123	1.52
		85.4°F	11409	11409	1.00	11079	11079	1.09	10742	10742	1.18	10393	10393	1.28	9629	9629	1.39	9001	9001	1.53
	67.0°F	74.6°F	11887	6949	1.01	11463	6774	1.09	11034	6598	1.18	10590	6416	1.28	9725	5979	1.39	8984	5636	1.53
		80.0°F	11908	8004	1.01	11483	7827	1.09	11054	7650	1.18	10610	7468	1.28	9748	6982	1.39	9012	6610	1.53
		85.4°F	11965	9874	1.01	11549	9660	1.09	11135	9444	1.18	10709	9213	1.29	9860	8614	1.39	9148	8138	1.54
		90.8°F	12164	12164	1.01	11794	11794	1.10	11418	11418	1.19	11039	11039	1.29	10225	10225	1.40	9560	9560	1.55
	72.4°F	80.0°F	13061	6803	1.03	12601	6644	1.11	12133	6476	1.21	11650	6301	1.31	10706	5877	1.42	9903	5545	1.56
		85.4°F	13077	8349	1.03	12616	8176	1.11	12146	7993	1.21	11664	7807	1.31	10720	7312	1.42	9917	6939	1.56
		90.8°F	13101	9783	1.03	12645	9596	1.11	12181	9400	1.21	11702	9200	1.31	10765	8630	1.42	9978	8193	1.56
		96.2°F	13181	11059	1.03	12756	10850	1.12	12310	10624	1.21	11863	10377	1.31	10944	9710	1.42	10204	9160	1.57
360	61.6°F	69.2°F	11191	7667	1.00	10781	7472	1.08	10367	7275	1.17	9937	7072	1.27	9114	6586	1.38	8402	6199	1.52
		74.6°F	11250	9316	1.00	10841	9095	1.08	10433	8872	1.17	10012	8639	1.27	9195	8062	1.38	8494	7602	1.52
		80.0°F	11431	10676	1.00	11057	10400	1.09	10684	10109	1.18	10300	9797	1.28	9519	9075	1.39	8870	8473	1.53
		85.4°F	12003	12003	1.01	11652	11652	1.10	11293	11293	1.19	10922	10922	1.29	10113	10113	1.40	9445	9445	1.55
	67.0°F	74.6°F	12318	7354	1.02	11872	7172	1.10	11421	6988	1.19	10956	6799	1.29	10055	6338	1.40	9283	5978	1.54
		80.0°F	12354	8508	1.02	11910	8314	1.10	11462	8119	1.19	11000	7920	1.29	10100	7407	1.40	9335	7008	1.55
		85.4°F	12456	10470	1.02	12015	10242	1.10	11585	10008	1.20	11141	9757	1.30	10258	9113	1.41	9522	8589	1.55
		90.8°F	12726	12726	1.02	12354	12354	1.11	11973	11973	1.20	11578	11578	1.31	10726	10726	1.42	10031	10031	1.57
	72.4°F	80.0°F	13516	7194	1.04	13036	7036	1.12	12546	6859	1.22	12041	6679	1.32	11060	6233	1.43	10222	5885	1.57
		85.4°F	13544	8869	1.04	13062	8701	1.12	12571	8511	1.22	12066	8318	1.32	11086	7789	1.43	10253	7384	1.58
		90.8°F	13591	10393	1.04	13121	10212	1.12	12639	9997	1.22	12142	9777	1.32	11171	9164	1.43	10349	8697	1.58
		96.2°F	13712	11735	1.04	13283	11522	1.13	12823	11270	1.22	12362	10990	1.33	11422	10251	1.44	10655	9651	1.59

Heating Mode

Indoor DB°F	Outdoor WB°F											
	5.0		14.0		23.0		32.0		42.8		50.0	
	TC	PI	TC	PI	TC	PI	TC	PI	TC	PI	TC	PI
60.8	5669	0.72	7033	0.77	8397	0.82	9780	0.87	11417	0.93	12508	0.97
64.4	5611	0.76	6975	0.81	8358	0.86	9722	0.91	11358	0.97	12449	1.01
68.0	5553	0.79	6916	0.84	8300	0.89	9663	0.94	11300	1.00	12391	1.05
69.8	5533	0.81	6897	0.86	8261	0.91	9624	0.96	11280	1.02	12371	1.06
71.6	5494	0.83	6877	0.88	8241	0.93	9605	0.98	11241	1.04	12332	1.08
75.2	5436	0.87	6819	0.92	8183	0.97	9546	1.02	11183	1.07	12274	1.12

Remark:

- AFR: Air flow rate (CFM)
- EWB: Entering Wet Bulb Temp. (°F)
- EDB: Entering Dry Bulb Temp. (°F)
- TC: Total Cooling Capacity (Btu/h)
- SC: Sensible Cooling Capacity (Btu/h)
- PI: Power Input (kW)

Notes:

- Ratings shown are net capacities.
- Shows nominal capacities.
- Direct interpolation is permissible. Do not extrapolate.